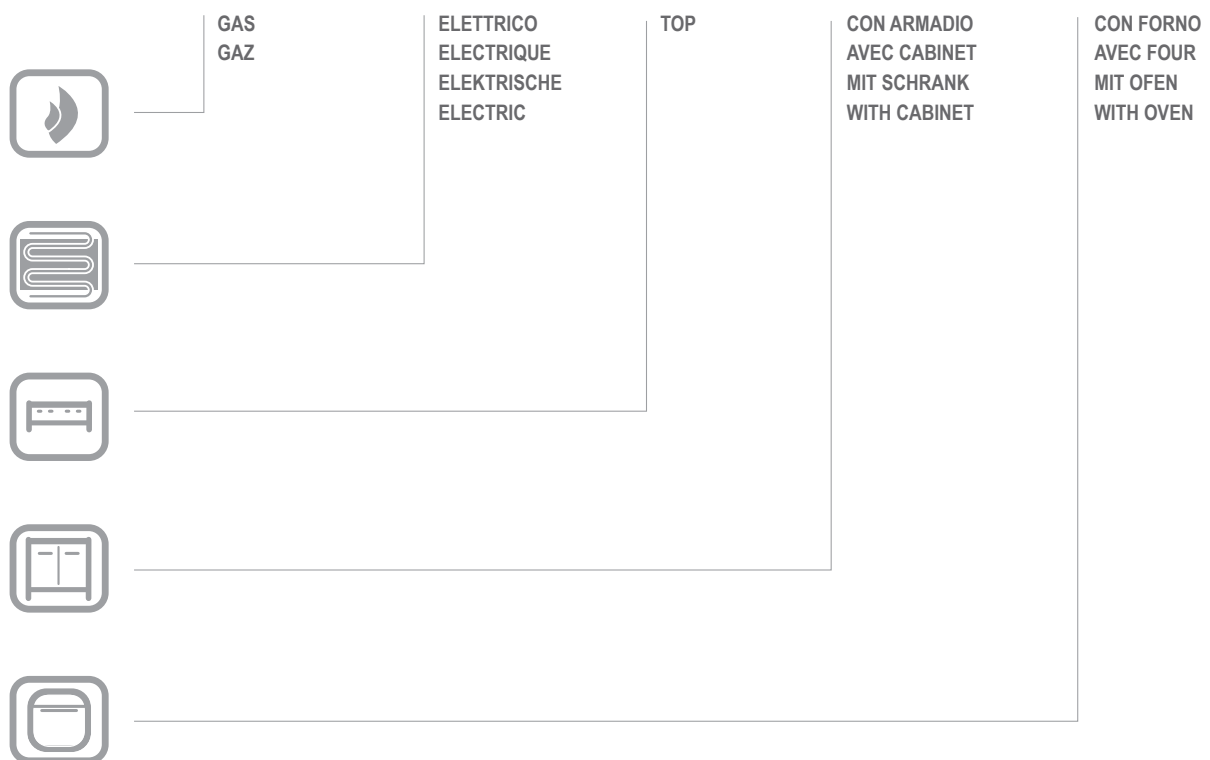




EBR8 / EBRVI8

EBR8 / EBRVI8

CATALOGO PARTI DI RICAMBIO
CATALOGUE PIECES DETACHEES
ERSATZTEILKATALOG
SPARE PARTS CATALOGUE



**Catalogo parti di ricambio valido
dalla matricola 0000001 (31.10.2006) ad oggi (27.07.2020)**

**Catalogue pieces detachees
valable à partir du numero de Série n. 0000001 (31.10.2006) jusqu'à aujourd'hui
(27.07.2020)**

**Ersatzteilkatalog
gültig ab Serien-Nr. 0000001 (31.10.2006) bis heute (27.07.2020)**

**Spare parts catalogue
valid from serial no. 0000001 (31.10.2006) up today (27.07.2020)**

**Catálogo de peças de reposição
válido do número de série 0000001 (31.10.2006) até hoje (27.07.2020)**

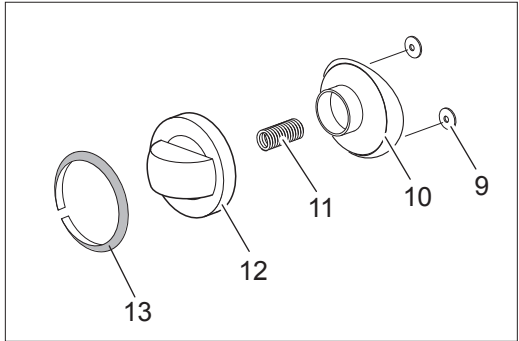
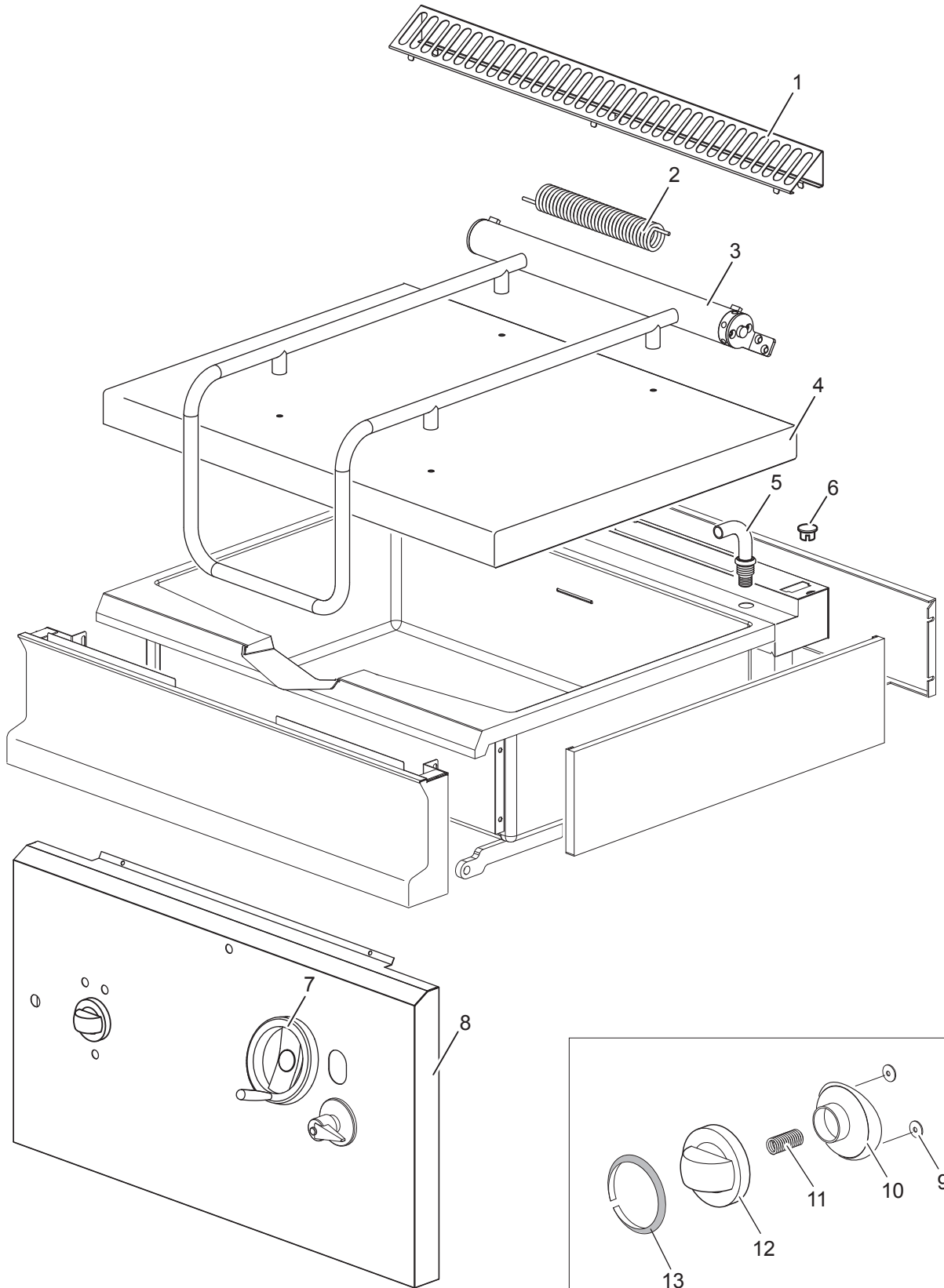
Le informazioni sono considerate non vincolanti. Le immagini rappresentate sono puramente indicative. Il produttore si riserva il diritto di apportare modifiche in qualsiasi momento senza preavviso.

Les informations données ne sont pas contraignantes. Les images montrées sont à titre indicatif. Le producteur se réserve le droit d'apporter des modifications sans préavis.

Die im vorliegenden Dokument aufgeführten Informationen und Bilder sind unverbindlich. Der Hersteller behält sich das Recht vor, jederzeit ohne vorherige Ankündigung Änderungen vorzunehmen

Info and drawing could be slightly different from reality and they cannot be considered as compelling. Manufacturer can modify info anytime without forewarning.

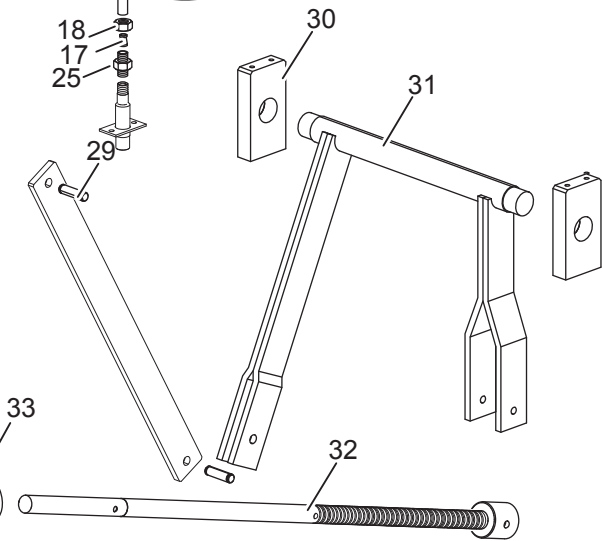
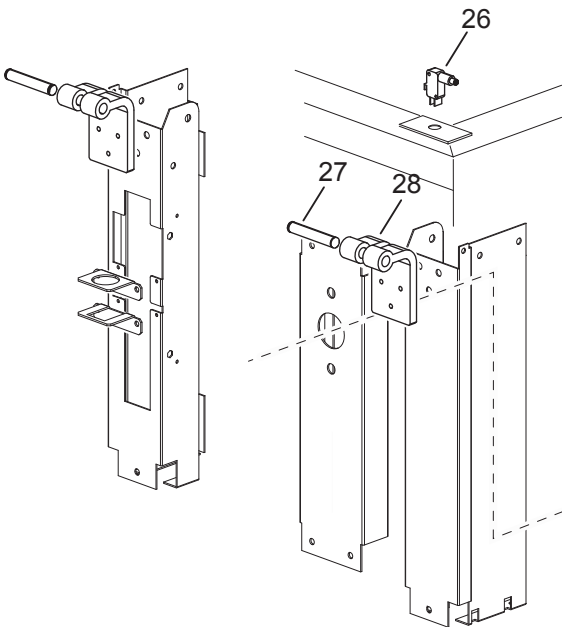
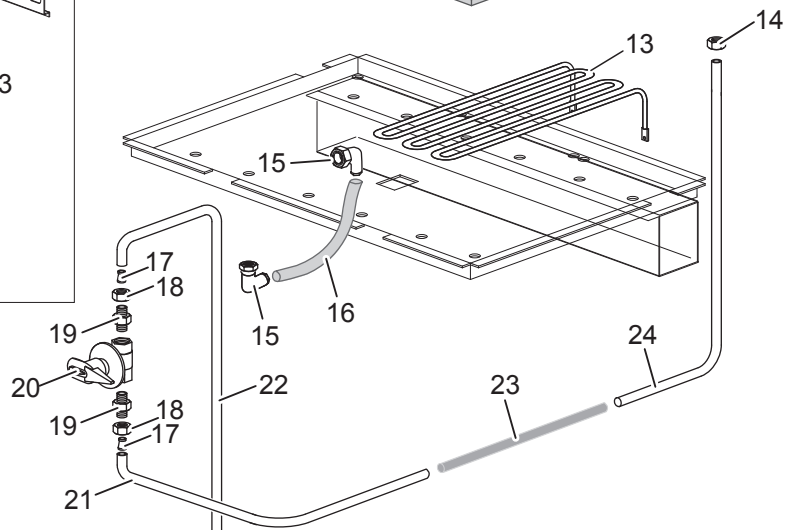
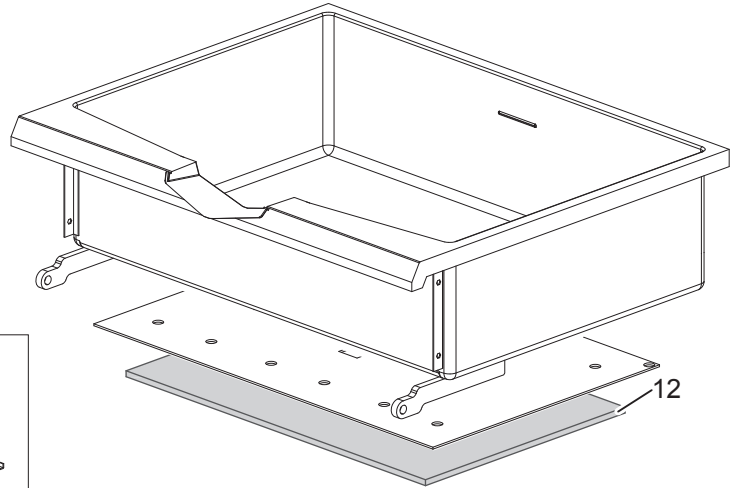
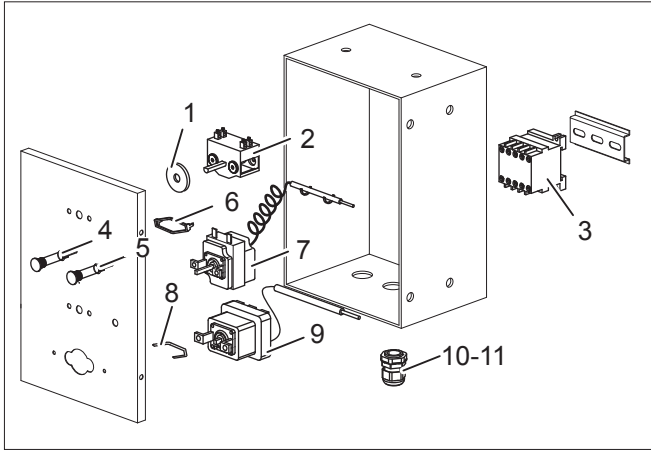
As Informações e desenhos podem estar um pouco diferente da realidade e são puramente indicativas. O fabricante pode modificar estas informações a qualquer momento sem aviso prévio.



Nr.	Code	Title	Recommended
1.	180968	CHIMNEY GRILL	
2.	RTBF800103	HINGE SPRING	✓
3.	183278	COMPLETE HINGE	
4.	184297	COVER	
5.	167439	WATER EROGATOR	
7.	165900	HANDWHEEL	✓
8.	183002	FRONT PANEL	
12.	169340	COMMUTATOR KNOB	✓
13.	169375	THERMOSTAT RING	✓



Nr.	Code	Title	Recommended
1.	183006	<i>BACK SIDE</i>	
2.	183008	<i>LATERAL SIDE</i>	
3.	RTCU700277	<i>FOOT</i>	



Nr.	Code	Title	Recommended
1.	RTCU800185	GASKET FOR COMMUTATOR ROD	✓
2.	RTCU900110	THERMOSTAT COMMUTATOR	✓
3.	177040	RELAIS	
4.	166465	GREEN WARNING LIGHT	✓
5.	166466	ORANGE LAMP LIGHT	✓
6.	RTCU900112	HIGH BRACKET COMMUTATOR/THERMOSTAT	✓
7.	RTCU700085	WORKING THERMOSTAT	✓
8.	PABF900217	PLATE	
9.	RTBF800076	SAFETY THERMOSTAT	✓
10.	RTBF800138	CHOCK PG21	
11.	RTBF700021	CHOCK PG16	
12.	166026	INSULATING PANEL	
13.	182342	HEATING ELEMENT 2KW	✓
14.	RTCP800013	NUT 1/2"	
15.	173142	CRANK	
16.	173141	SHEATH	
17.	RTCU900012	BICONE D.10	
18.	RTCU900013	NUT D.10	
19.	RTCU900132	NIPPLE 1/2"- 3/8"	
20.	RTCU600075	WATER FILLING TAP	✓
21.	182824	ALIMENTATION PIPE FOR WATER TAP	
22.	183012	ALIMENTATION PIPE FOR WATER TAP	
23.	165791	SILICON PIPE	
24.	183011	ALIMENTATION PIPE FOR WATER EROGATOR	
25.	RTCU900103	NIPPLE 3/8"	
26.	175286	MICRO SWITCH -UL-	✓
27.	RTCU700503	FRONT HINGE PIN	
28.	174580	FRONT HINGE	
29.	RTBF900096	EXTENSION FIXING PIN	
30.	RTCU700512	TILTER SUPPORT	
31.	RTCU700509	TILTER	
32.	182078	TILTER SCREW + SLEEVE	
33.	RTCU700504	BEARING	